

# VPort 15-M12 Series

**EN50155-compliant, 1.3-megapixel, compact fixed dome IP cameras**



- > Meets EN50155:2007 criteria for rolling stock applications
- > Provides MPEG4 and MJPEG dual video streams simultaneously
- > Power-over-Ethernet (IEEE 802.3af) supported for less cabling and easy installation
- > Hardened M12 Ethernet connectors for high vibration environments
- > -25 to 55°C operating temperature
- > VPort SDK PLUS provided free



## Introduction

The VPort 15-M12 is a 1.3 megapixel, compact, fixed-dome type IP camera that features a 1/3.8" Sony Progressive sensor for generating excellent image quality, even in low-light conditions. With an M12

connector and IP66 rain and dust protection, the VPort 15-M12 is well suited for high vibration and outdoor environments such as in trains and buses.

## Meets EN50155's Criteria for Rolling Stock Applications

The EN50155 standard is the most basic and most important requirement for electronic devices and equipment used in railway carriages. The VPort 15-M12 meets the majority of the criteria

stipulated by EN50155:2007, such as suitability for wide temperature and high vibration and shock environments, and is an optimal solution for railway carriages.

## Rugged Design for Mission-critical Industrial Environments

- -25 to 55°C wide operating temperature
- M12 Ethernet connector for high vibration environments
- Power-over-Ethernet (IEEE 802.3af) supported for less cabling and easy installation
- IP66 protection for rain and dust
- Hardened surface installation

## High Resolution and High Performance Video Streams

- 1/3.8", 1.3 megapixel progressive CMOS sensor
- Simultaneous MPEG4 and MJPEG video stream (dual streams)
- Supports 1280 x 960 (4VGA, MJPEG), VGA, QVGA, CIF, QCIF resolutions
- Max. frame rates:  
MPEG4: 30 FPS @ VGA, MJPEG: 15 FPS @ 1280 x 960

## Auto-configuration Function for Mass Installation and Maintenance

The VPort 15-M12 series supports an auto-configuration function for mass installation and maintenance, which is particularly useful when your system includes large numbers of VPorts. With centralized backups of the configuration files of all VPorts in the system, as

well as support for DHCP 66/67 and TFTP, the system integrator or administrator can save a lot of time and effort by installing new VPorts or recovering existing VPorts by downloading the configuration files automatically.

## Specifications

### Camera

**Sensor:** 1/3.8" Sony Progressive CMOS  
**Picture Elements:** 1280 (H) x 960 (V), 1.3 megapixels  
**Lens:** F1.8, focal length = 4.3 mm  
**Angle of View:** 83.1°  
**Camera Angle:** 0-90° (Tilt and Pan)  
**Illumination:** 0.1 Lux @ F1.8  
**Brightness:** Manual control

**Synchronization:** Internal  
**Exposure:** Auto and manual control modes  
**Sharpness:** Manual control  
**Contrast:** Manual control  
**White Balance:** Auto, indoor, outdoor, manual control modes  
**Backlight Compensation:** On/Off  
**Rotation:** Flip, Mirror, and 180° Rotate  
**Horizontal Resolution:** > 700TVL

## Video

**Video Compression:** MJPEG and MPEG4 (ISO/IEC 14496-2)

**Video Outputs:** Via Ethernet

**Video Streams:** Maximum of 2 video streams (1 MPEG4 and 1 MJPEG)

**Video Resolution:**

- MPEG4: VGA, QVGA, CIF, QCIF
- MJPEG: 1280 x 960 (4VGA), VGA, CIF, QVGA, QCIF

**FPS (Frames per second):**

- MPEG4: 30 FPS @ VGA
- MJPEG: 15 FPS @ 1280 x 960

## Network

**Protocols:** TCP, UDP, HTTP, Multicast, SMTP, FTP, Telnet, NTP, DNS, DHCP, UPnP, RTP, RTSP, ICMP, QoS, SNMPv1/v2c/v3, DDNS, TFTP, DHCP 66/67

**Ethernet:** 1 10/100BaseT(X) M12 D-code connector

## Power Requirements

**Input:** Power-over-Ethernet (IEEE 802.3af)

## Physical Characteristics

**Housing:** Plastic, IP66-rated for rain and dust protection

**Dimensions:** 110 x 47 mm (4.33 x 1.85 in)

**Installation:** Surface mounting

## Security

**Password:** User level password protection

**Filtering:** By IP address

## Environmental Limits

**Operating Temperature:** -25 to 55°C (-13 to 131°F)

**Storage Temperature:** -40 to 85°C (-40 to 185°F)

**Ambient Relative Humidity:** 5 to 95% (non-condensing)

## Regulatory Approvals

**EMS:**

EN61000-4-2 (ESD), level 2

EN61000-4-3 (RS), level 3

EN61000-4-4 (EFT), level 3

EN61000-4-5 (Surge), level 3

EN61000-4-6 (CS), level 3

**EMI:** FCC Part 15, CISPR (EN55022) class A

**Rolling Stock:** EN50155: 2007 compliance (shock, vibration, temperature, and EMC)

**Shock:** IEC 60068-2-27

**Freefall:** IEC 60068-2-32

**Vibration:** IEC 60068-2-6

**Note:** Please check Moxa's website for the most up-to-date certification status.

## Warranty

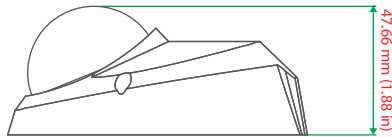
**Warranty Period:** 3 years

**Details:** See [www.moxa.com/warranty](http://www.moxa.com/warranty)

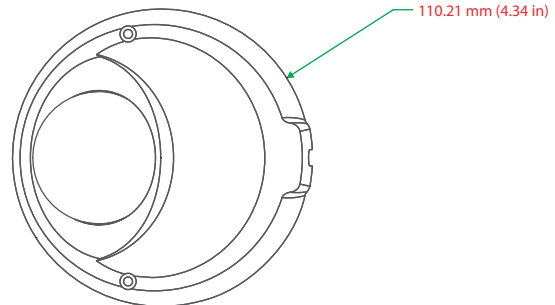
## Software Bundled Free

**VPort SDK PLUS:** Includes CGI commands, ActiveX Control, and API library for customized applications or system integration for third-party developers (the latest version of SDK is available for download from Moxa's website).

## Dimensions



Side View



Top View

## Ordering Information

### Available Models

**VPort 15-M12-PAL:** EN50155, 1.3 megapixel, compact fixed dome IP camera with M12 Ethernet connector, PAL modulation

**VPort 15-M12-NTSC:** EN50155, 1.3 megapixel, compact fixed dome IP camera with M12 Ethernet connector, NTSC modulation